

Techno Integration Corporation
(Please call us 'TIG')

INTRODUCTION OF
TECHNO-INTEGRATION

**(Super Consulting Firm for New Business
Creation and Development based on
Technology Integration and Fusions)**

2004-3-15

略称：TIG (ティグ)

Solution of Techno Integration(TIG)

Customer's
Needs

Efficient Way for Business Creation!

- Proven experiences in Technological Evaluation, business planning and business start-up
- Value-added fusion between High and Low Technologies
- Several Project Management experiences for Innovative Team

SOLUTION

- Venture Start-up including Corporate Venturing
- WIN-WIN Alliance and Technological Evaluation
- Strategic Planning for Business with IP, People, Funding
- New Business Creation and Start-up Integration**

Why we established TIG?

Techno InteGration Corporation Ltd.TIG

We believe Japanese Industrial Core Competence is Innovative Technology and Engineering Development Capability. Business Solutions is based on Integration of Venturing, Alliance and Strategic Planning.

We are worrying the weakness of Technological Management and System Integration Ability for Efficient New Business Creation.

Under these conditions, We have decided to start new business consulting firm for for New Business Creation and Development base on Technology Integration and Fusions in March 2004

Business Overview

1.Consulting for New Business Creation and R & D for Innovative Products

- Corporate Venturing and Venture Company Start-up
- Project Management for Development and Business Creation

2.Evaluation of New Technology for Business Possibility

- Strategic Alliance Net working among Global Different Fields
- Technology Transfer and Appropriate Collaboration Planning

3.Strategy Planning for Technological Integration and Fusion

- IP Strategy, People Strategy and Funding Strategy
- Total Integration Strategy

(Technological Human Resorce development Seminar, Education and Consulting)

TIG Business Overview in 2004

Consulting for New Business Creation

「Corporate Venturing and Venture Company Start-up」

Evaluation of New Techn

Strategic Alliance Net working

Strategy Planning

IP, People and Funding

Seminar, Education, Symposium Planning

Business Experience of Dr. Degawa

- 1) New Business Creation(Corporate Venturing):2
- 2) National R&D Project:4
- 3) Venture Start Up Support and Collaboration:6
- 4) Government Authorized Technological and Business Evaluator:9
- 5) Patent, Intellectual Properties; Over 200 patents
- 6) Global Net-work with Universities, Venture Firms, Research Organizations
- 7) Planning Experience; Business, Corporate, Technological:6 years
- 8) Fusion and Integration between Matured and Leading Edge Technologies

Technological Professionalism on TIG

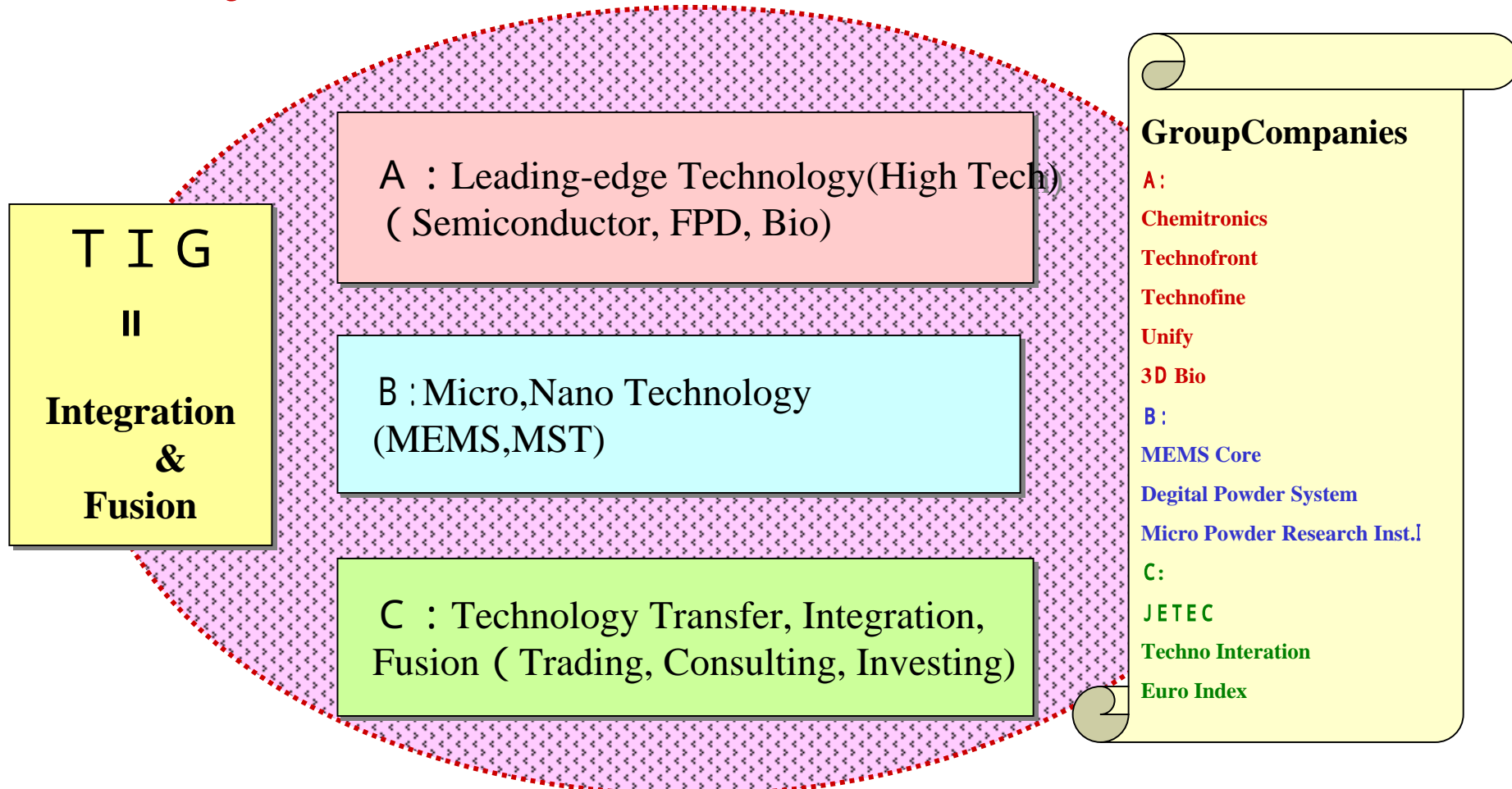
Micro-Nano (MEMS, MST) Area

Semiconductor, FPD Bio Area Maturated Technology Area

Low Tech to Hi Technology Field,
High Tech to Lowh(Maturated) Technology Area

Technology Integration and Fusion in TIG using Established Net Work

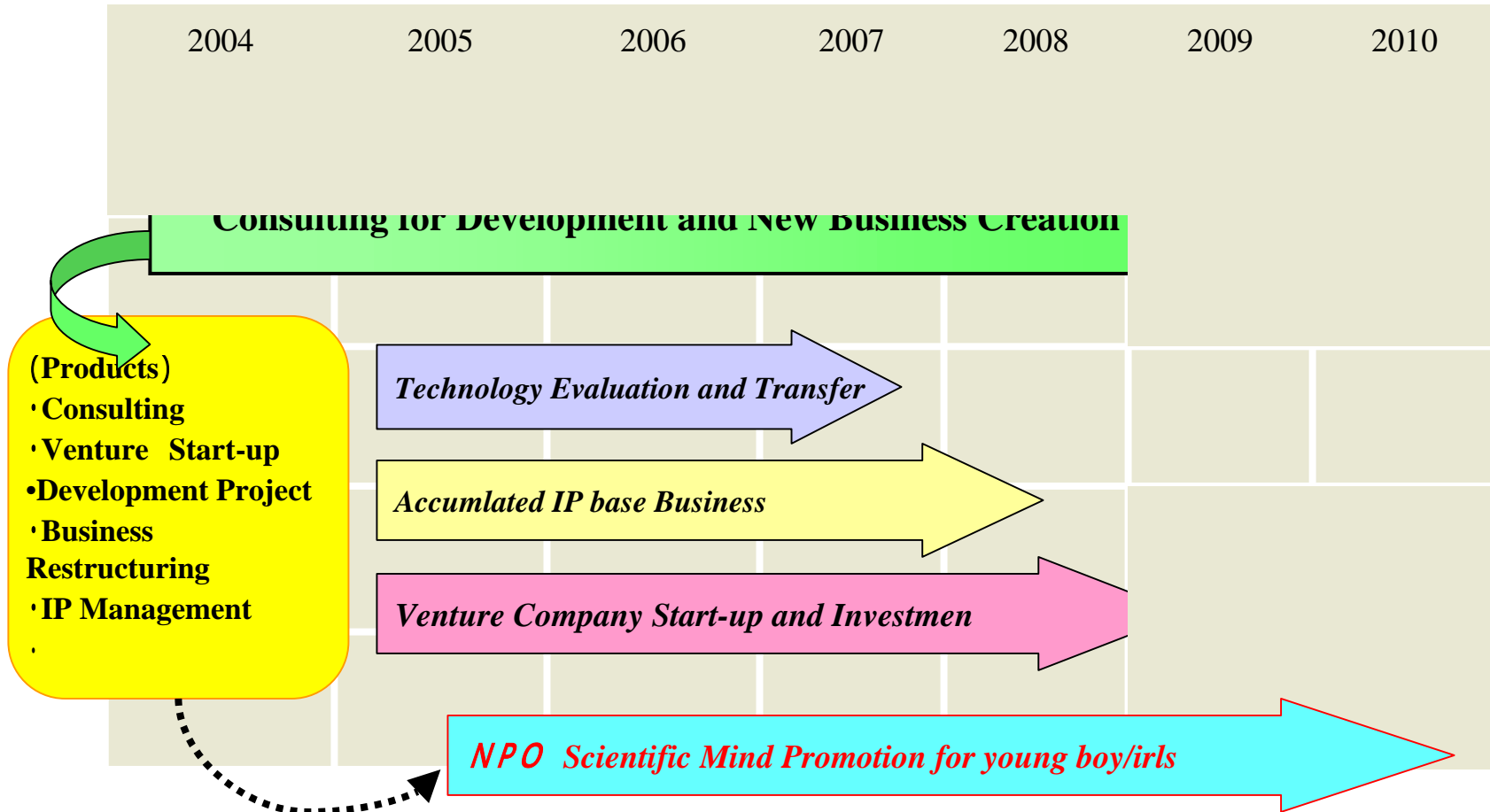
(High Tech to Low Tech, Low Tech to Low Tech)



-Based on combines of three founder's Experiences and Reliable Net-work for Technological Development and Business Creations over 30 years -

Future Business Vision of TIG

Super Consulting Firm for 'New Business Development and Creation'



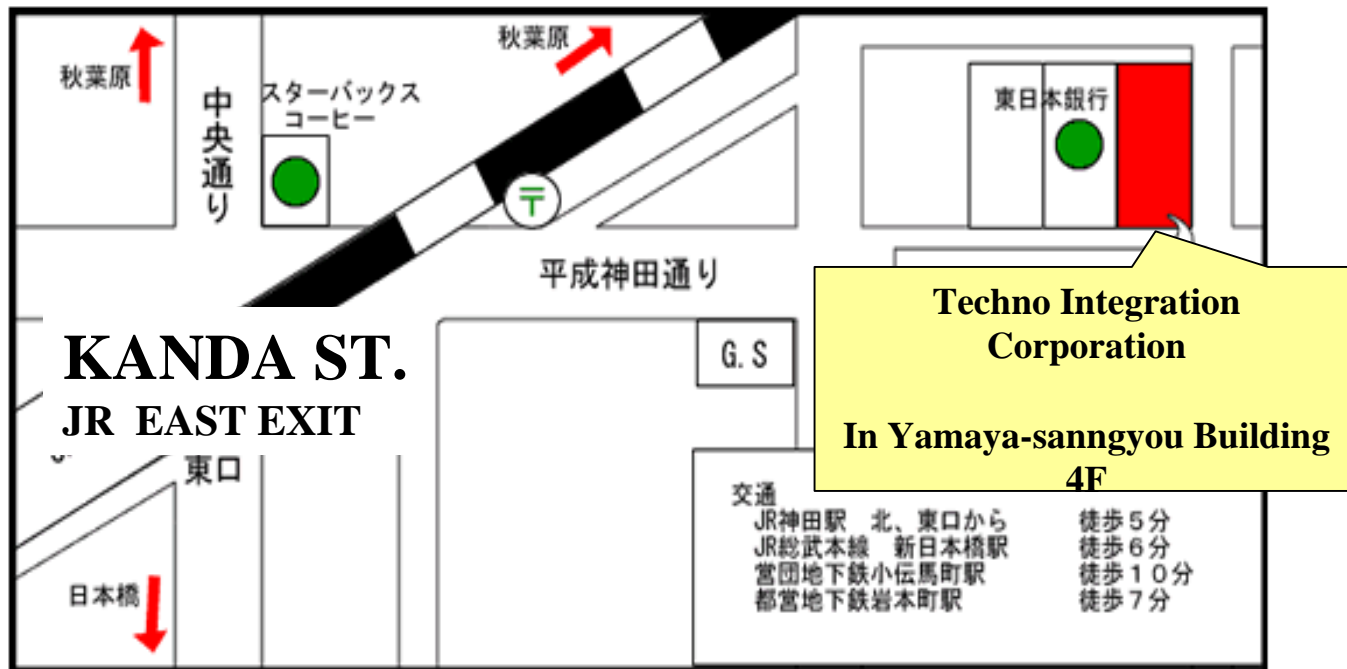
Company Summary

Name : Techno Integration Corporation
Consulting for New Business Creation and R&D
Established 1st, March, 2004
President (CEO) Toru DEGAWA
Capital 10mil. yen
Adress Yamaya Sangyo Building 4F,
Kanda-Tomiyama-cho 5, Chiyoda-ku, Tokyo
Tel. 03-3252-0502 (090- 3065-4624)
FAX 03-5256-6705
E-mail : degawa@techno-ig.com

Map

- **Company** TECHNO INTEGRATION CORPORATION
 - **Address** Yamaya Sangyo Building 4F,
Kanda-Tomiyama-cho 5, Chiyoda-ku, Tokyo
- Tel. 03-3252-0502 (090- 3065-4624)
FAX 03-5256-6705

企業概要



BACKGROUND & CAREER of Dr.Toru DEGAWA

Dr.Toru DEGAWA has experienced for Co-Development,Corporate Venturing,Venture Start-up, Project Management and Alliance Management in New Age(Century) Business Fields.

He established Techno Integration Corporation(TIG) in 2004. He is also appointed Visiting Professor of TOHOKU University as MOT(Management of Technology and Advanced Material Specialist. He is also CTO for two start-up Venture Company and Advisor for Trading Company and Research Institutes. Doctor of Engineering in 1986.

He Joined Research Center of Mitsui Engineering & Shipbuilding Co.,Ltd.in 1974 and he spent 10 years for technical Improvement of Heavy Industrial Machine for example Gas Turbine and Marine Diesel Engine including National Funding research Projects..After that he moved to business development division and He achieved several New Business Development Projects.

His Technological Speciality is Material Processing for Macro to Micro, Nano fields, including beam technology and Surface treatment technology for Semiconductor and Flat Panel Area, MEMS and MST.

He has strong interest in Scientific mind nurturing for Japanese young generation through Industrial Museum and Scientific Toys.He would like to contribute to extension of this field by NPO organization with who has same ideal.

Background and career of Partners

- Mr.Koji HOMMA (CEO of Chemitronics Group)

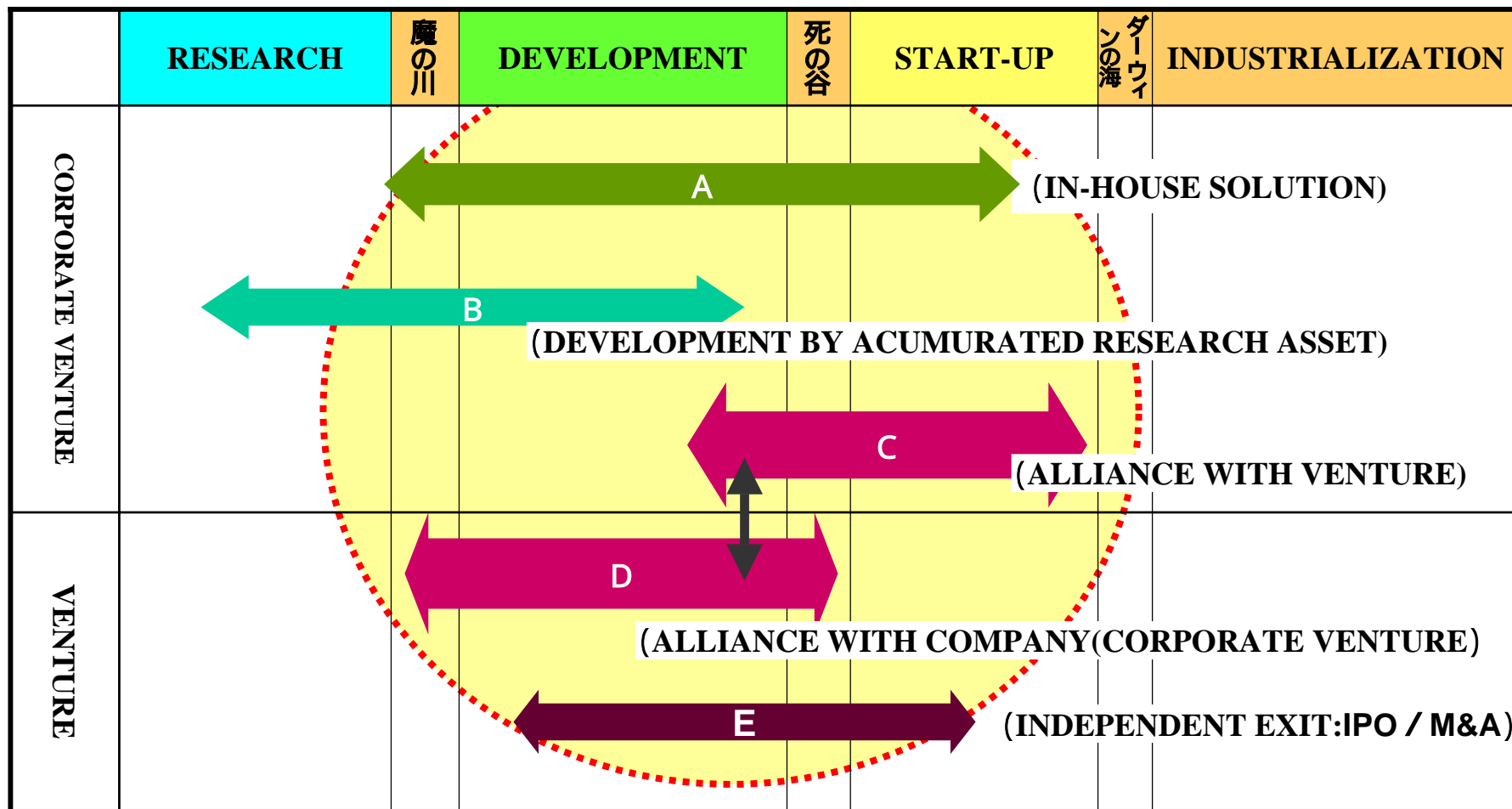
Chemitronics Group has over 10 High Tech oriented Venture Companies for example Chemitronics, Technofine, Technofront, Unify, 3D-bio, MEMS Core . . . in Semiconductor, MEMS、Biotechnology Business Fields. He has developed several hundreds new process Equipment through twenty years.

- Mr.Hiroshi KATO (CEO of J-TEC Group)

J-TEC Group is technology oriented trading company, mainly for new technology and products from/to Europe.The group includes MPRI, DPS, Euro-index . . . in New and Traditional material Business Field. He has introduced several European innovative technologies to Japan over 10 years.

BUSINES MODEL OF TIG

(Consulting for Development and New Business Start-up)



TIG Net Work Companies and Their Business Relations

